

# LED Indoor Luminaires Fixed Rail Ceiling Mount 120VAC / 60Hz

Model # MDRF1213L30RB

## Safety Precautions

- Read all safety precautions and installation instructions carefully before installing or servicing this fixture. Failure to comply with these instructions could result in potentially fatal electric shock and/or property damage.
- It is recommended that a qualified electrician perform all wiring. This fixture must be wired in accordance with all national and local electrical codes.
- Do not handle any energized fixture or attempt to energize any fixture with wet hands or while standing on a wet or damp surface or in water.
- This fixture is designed for use in a 120VAC, 60Hz fused circuit. This fixture is compatible with 2-wire Triac / ELV dimmers.
- Make sure that the power source conforms to the requirements of the fixture. (See labels on the fixture housing).
- To reduce the risk of electrical shock, and to assure proper operation, this fixture must be adequately grounded. To accomplish proper grounding, there must be a separate ground wire (green) contact between this fixture and the ground connection of your main power supply panel.
- This fixture is intended to be used for general indoor lighting in dry or damp locations.
- Disclaimer  
Changes or modifications not expressly approved by the party responsible for compliance could void the user's authority to operate the equipment. NOTE: This equipment has been tested and found to comply with the limits for a Class B digital device, pursuant to Part 15 of the FCC Rules and Canadian ICES-005 (B) / NMB-005 (B). These limits are designed to provide reasonable protection against harmful interference in a residential installation. This equipment generates, uses and can radiate radio frequency energy and, if not installed and used in accordance with the instructions, may cause harmful interference to radio communications. However, there is no guarantee that interference will not occur in a particular installation. If this equipment does cause harmful interference to radio or television reception, which can be determined by turning the equipment off and on, the user is encouraged to try to correct the interference by one or more of the following measures:
  - Reorient or relocate the receiver antenna.
  - Increase the separation between the equipment and receiver.
  - Connect the equipment into an outlet on a circuit different from that to which the receiver is connected.
  - Consult with the dealer or an experienced radio/TV technician for help.

Any modifications to this fixture may void the warranty and interfere with the safe operation of the luminaire.

Operation is subject to the following two conditions: (1) this device may not cause interference, and (2) this device must accept any interference, including interference that may cause undesired operation of the device.

## Assembly Instructions

### Step 1 – Preparing for installation

- Disconnect electrical power** before installing or servicing any part of this fixture.
- Remove fixture from carton; remove components from hardware kit.
- Remove round gem bar (2) from the fixture by removing two screws (3).
- Install round gem bar (2) to junction box (not provided) by securing it with two #8-32 screws (4).

### Wiring – All wiring must take place inside junction box (not included).

**Caution:** Make sure power is off at fuse or circuit breaker box. Check power wires for damage or scrapes. If the power supply wires are within three inches of the LED driver, use a wire suitable for at least 90°C (194°F). **Note:** Most dwellings built before 1985 have supply wire rated to 60°C. Consult a qualified electrician to ensure correct branch circuit conductor before installing.

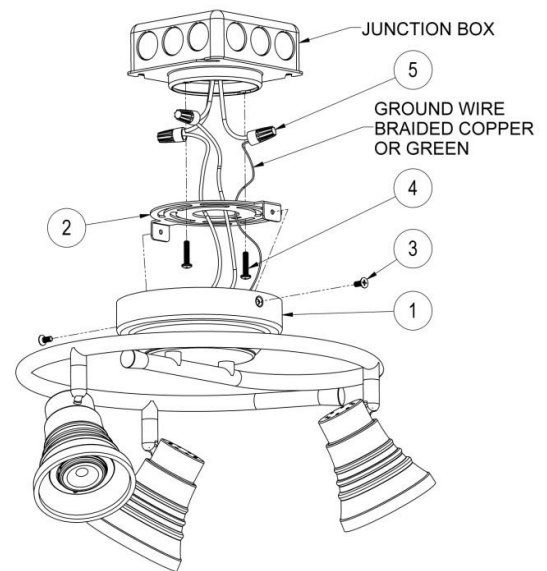
### Step 2 – Wiring fixture

- Make all wire connections to appropriate wire. Secure with wire nuts (provided).
- Connect the green wire from the fixture to the supply power source ground wire.
- For non-dimming fixture.** Connect white fixture lead to white (N) wire from supply power source. Connect black fixture lead to black (L) wire from supply power source.
- For TRIAC dimming.** Connect white fixture lead to white (N) wire from dimming source per dimmer wiring instructions. Connect black fixture lead to black (L) wire from dimming source per dimmer wiring instructions.
- Do not mix wires.** Pull on each wire lead to make sure connections are secure. Make certain no bare wires are exposed outside of wire connectors. Tuck all connections neatly into junction box.

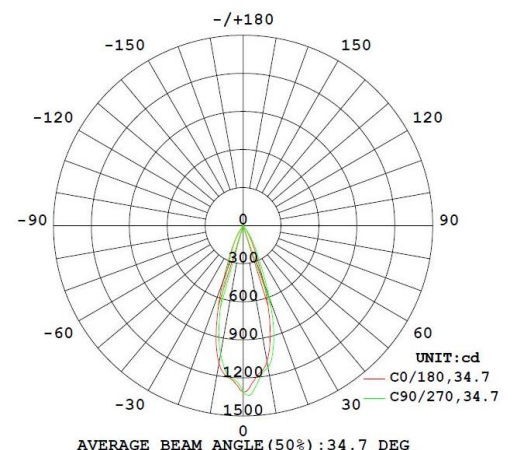
### Step 3 – Mounting

- Install fixture (1) to round gem bar (2) with two screws (3).

### Step 4 – Power to the fixture can now be restored



Luminous Intensity Distribution



# LED Indoor Luminaires Fixed Rail Ceiling Mount 120VAC / 60Hz

Model # MDRF1213L30RB

## REPLACING THE LED DRIVER

**IMPORTANT!** Do NOT disassemble product. This operation is only for the replacement of a faulty LED Driver.

**IMPORTANT!** It is recommended that the replacement of an LED driver be completed by a qualified electrician.

**CAUTION!** Turn off main power at fuse or circuit breaker box.

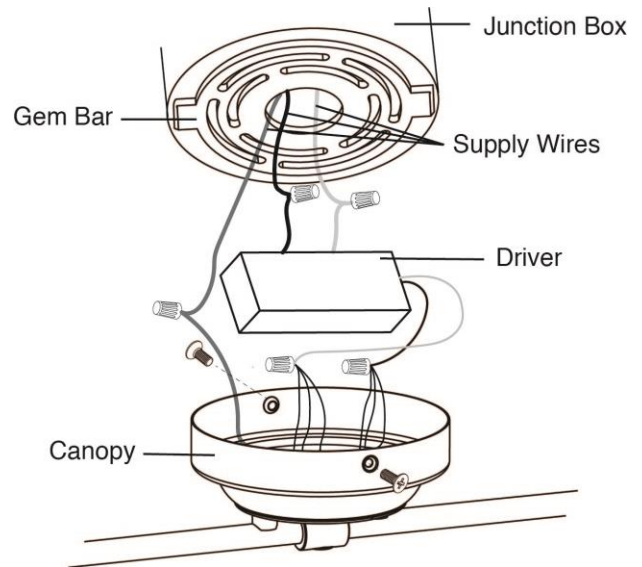
### Disassembly:

1. Remove fixture from wall by removing (2) canopy screws.
2. Disconnect LED driver power wires from power supply wires in junction box by removing wire nuts.
3. Separate LED driver from canopy by removing (2) screws.
4. Disconnect (2) driver wires from fixture wires.

**NOTE:** Mark fixture wires with tape to match black wire with parallel fixture head wires on one side, and red wire with parallel fixture head wires on the other side  
Discard driver.

### Reassembly:

1. Using new LED driver, connect red and black wires to matching parallel fixture head wires with wire nuts.
2. Re-attach driver to canopy with 2 screws.
3. Connect power supply wires from drive to power supply wires from junction box.
4. Connect black wire to black wire, white to white and ground (copper) to ground (green or copper)
5. Tuck supply wires in junction box.
6. Connect canopy to junction box/gem bar with (2) screws
7. Restore power to the fixture.



### Limited Factory Warranty

AFX Inc. hereby warranty that this fixture is free from defects in materials and workmanship when installed and used under normal operating conditions for a period of 5 years from date of shipment from factory. This warranty covers all component parts and extends only to replacement of defective fixture or components; it does not cover failure due to improper installation, misuse, mishandling or damage incurred in transit.